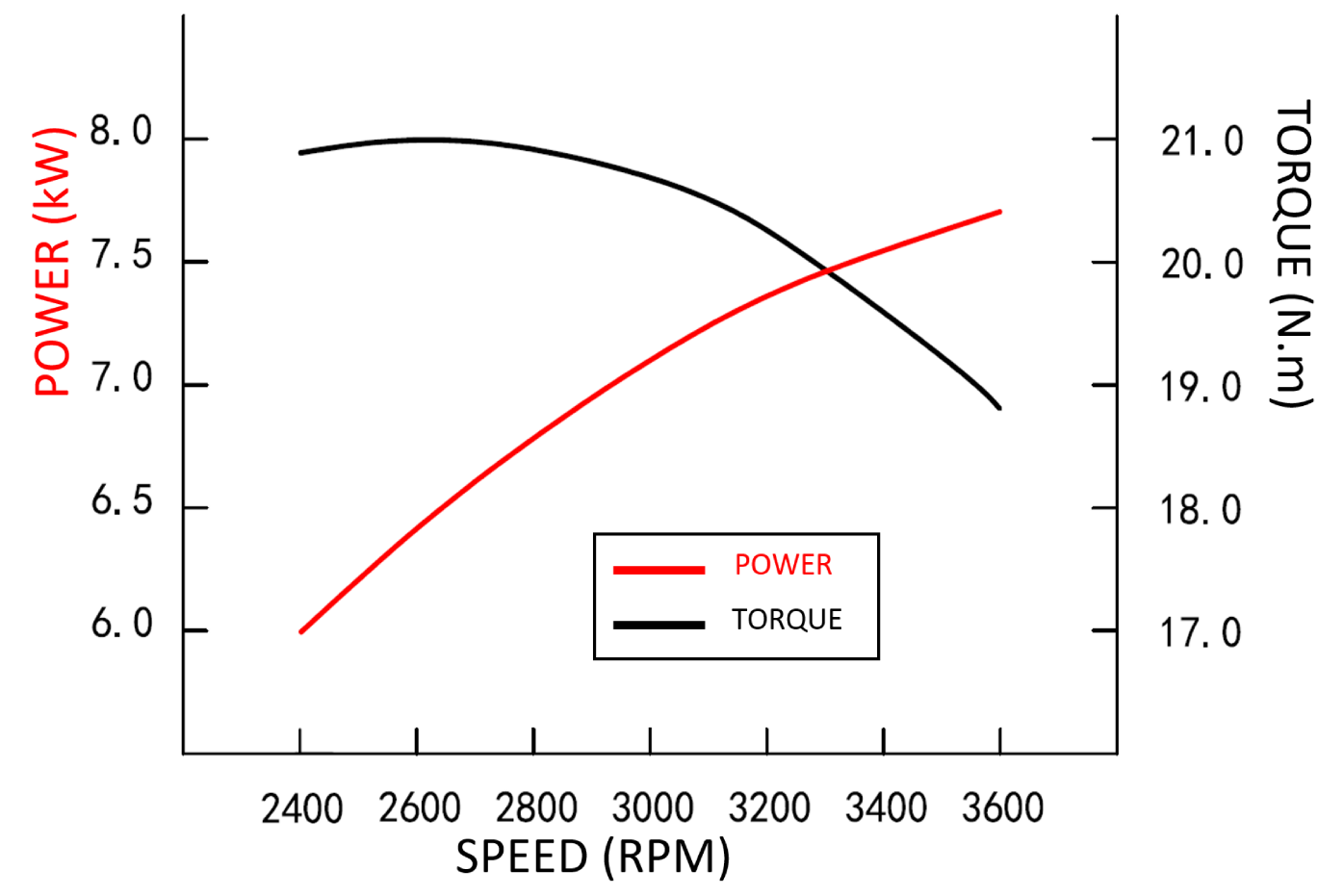
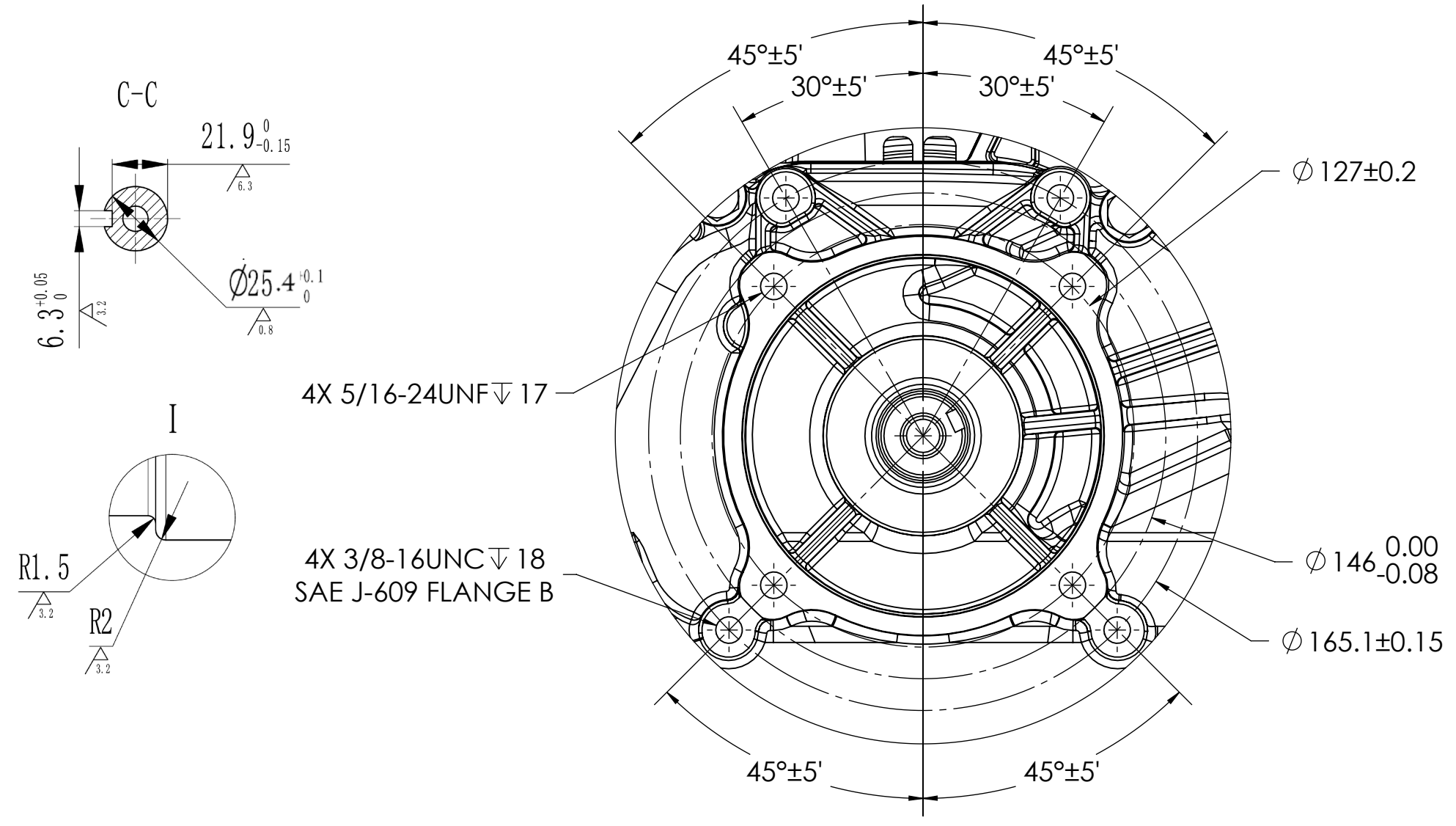
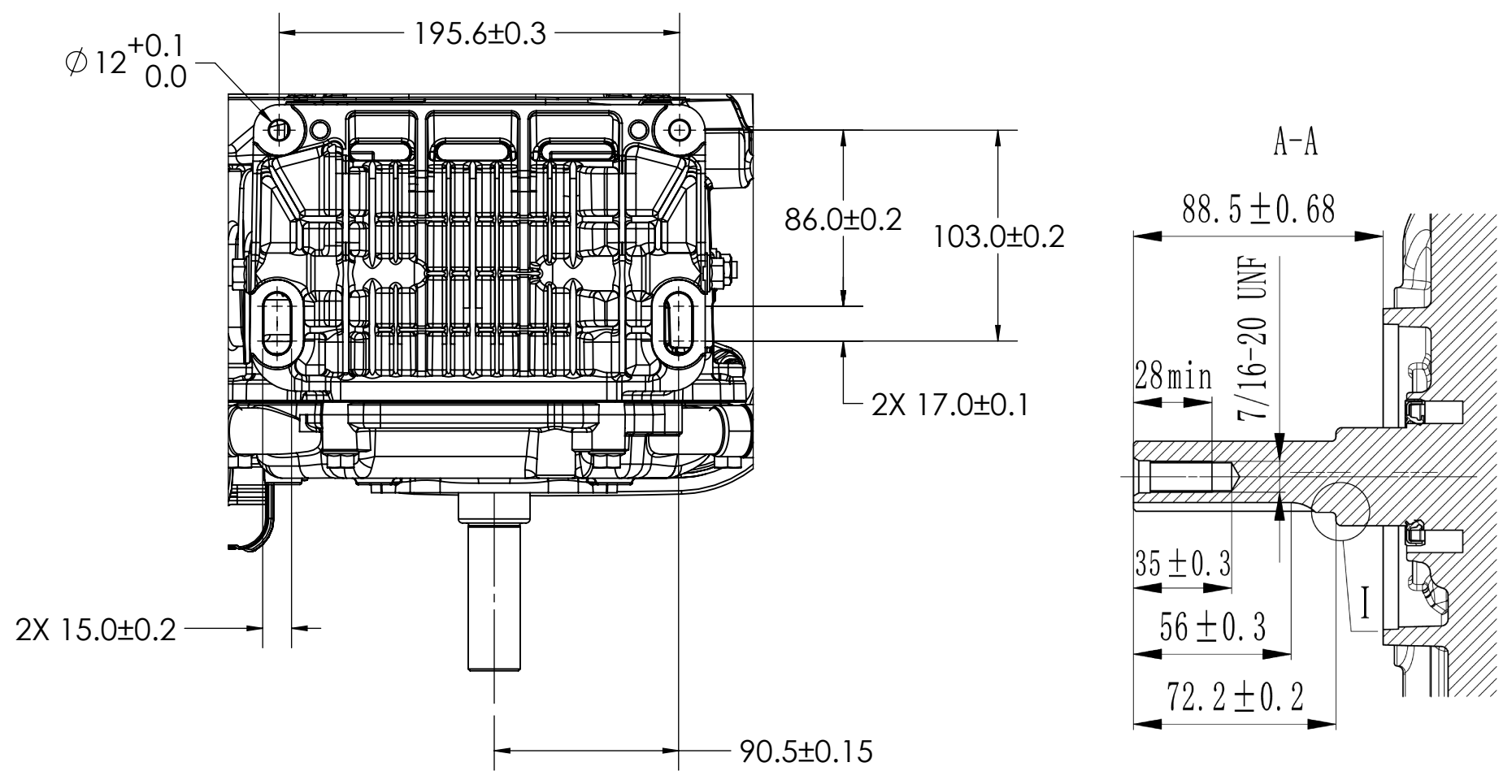
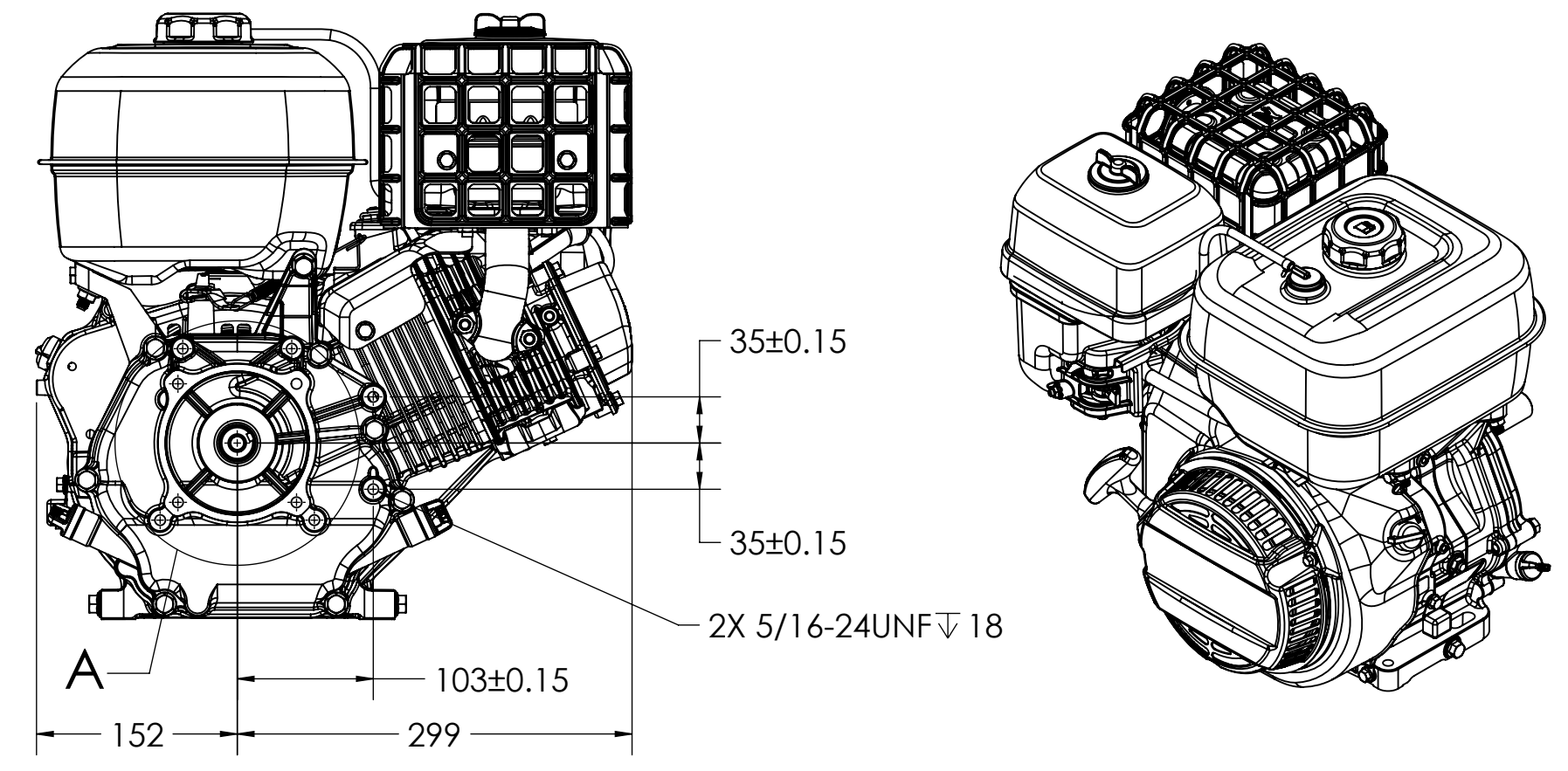
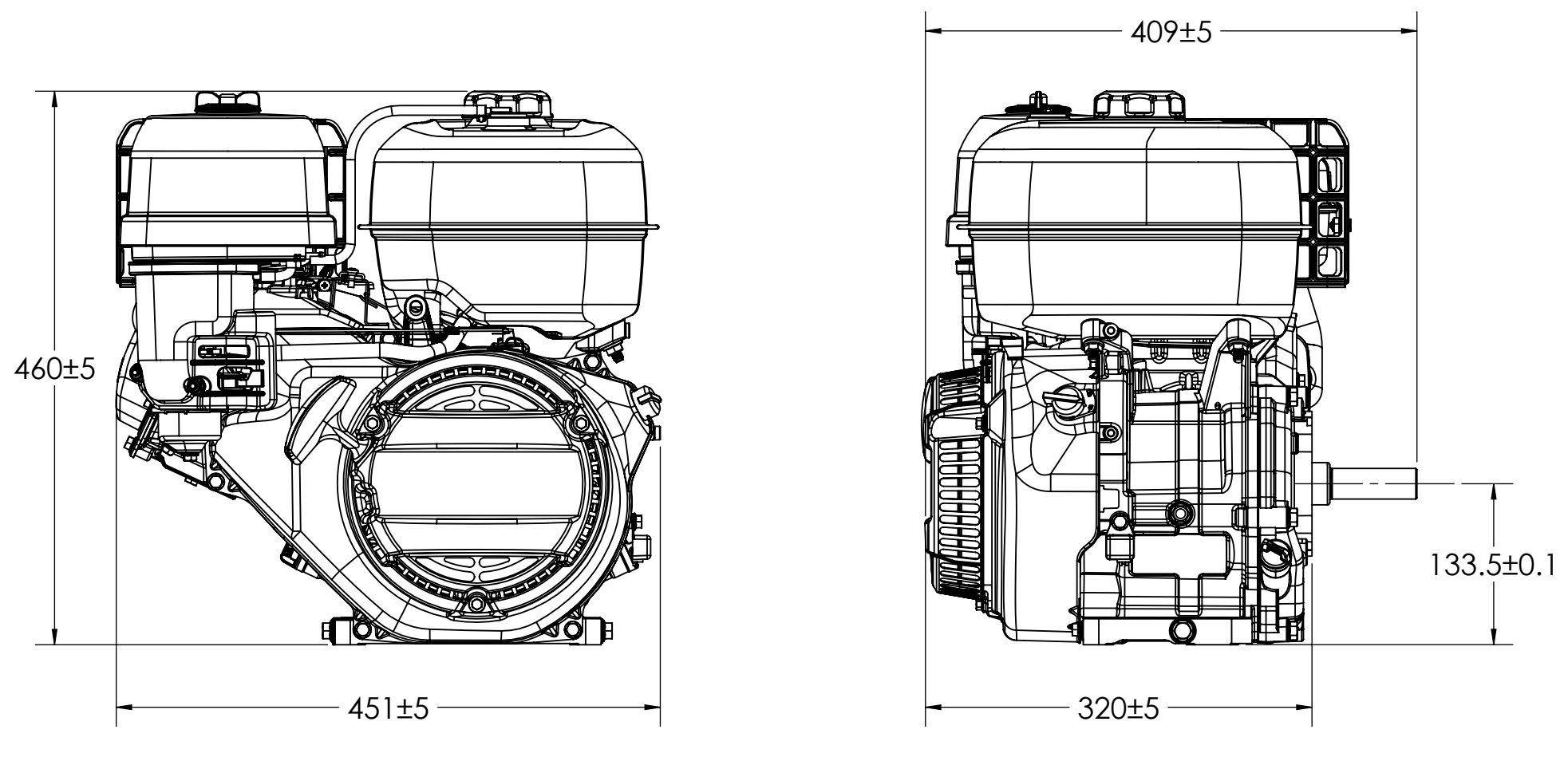


ITEM	FNA PARTS NO.	KIT DESCRIPTION	QTY	MATCH
1	7111017	VALVE COVER KIT	1	110133
2	7122878	CYLINDER HEAD KIT	1	110133
3	7122879	CARBURETOR KIT	1	110133
4	7118103	CARBURETOR	1	110133
5	7122880	AIR FILTER ASSEMBLY	1	110133
6	7112458	AIR FILTER ELEMENT	1	110133
7	7112461	MUFFLER KIT	1	110133
8	7122699	PISTON RING SET	1	110133
9	7122881	PISTON KIT	1	110133
10	7118104	CONNECTING ROD KIT	1	110133
11	7112466	LOW OIL SENSOR KIT	1	110133
12	7122882	SHORT BLOCK KIT	1	110133
13	7122883	CAM&TAPPET SET	1	110133
14	7112469	OIL DIP STICK KIT	1	110133
15	7115921	OIL DRAIN PLUG KIT	1	110133
16	7112470	IGNITION MODULE KIT	1	110133
17	7122703	FLY WHEEL	1	110133
18	7122704	COOLING FAN	1	110133
19	7112482	STARTER CUP KIT	1	110133
20	7122885	BLOWER HOUSING KIT	1	110133
21	7117965	RECOIL STARTER KIT	1	110133
22	7112484	STOP SWITCH	1	110133
23	7126335	GOVERNOR KIT	1	110133
24	7122707	GOVERNOR SPRING KIT	1	110133
25	7112474	FUEL TANK KIT	1	110133
26	7111121	FUEL CAP	1	110133
27	7112475	ROLL OVER VALVE	1	110133
28	7122888	CASKET KIT	1	110133
29	7118107	OIL SEAL AND BEARING KIT	1	110133
30	7122889	LOW OIL WIRE KIT	1	110133
31	7122890	FUEL HOSE KIT	1	110133

32	7111151	SPARK PLUG	1	110133
33	7119650	MUFFLER MOUNTING KIT	1	110133
34	7126336	KEYWAY	1	110133
35	7123601	INTERNAL GOVERNOR KIT	1	110133

REV		DESCRIPTION	ECN#	BY	CHECK	APPROVE	DATE
A		INITIAL DRAWING RELEASE					



DETAIL A
SCALE 3 : 5

THIRD ANGLE PROJECTION UNLESS OTHERWISE SPECIFIED: DIMENSIONS ARE IN MM TOLERANCES: X ± 2.5 .X ± 0.76 .XX ± 0.25 ANGULAR: ± 1° BEND: ± 1° ALL MACHINED SURFACES: √ 3.2 INTERPRET GEOMETRIC TOLERANCING PER LATEST: ASME Y14.5M	FNA-GROUP 7152 99th Street, Pleasant Prairie, WI 53158 PROPRIETARY AND CONFIDENTIAL THE INFORMATION CONTAINED IN THIS DRAWING IS THE SOLE PROPERTY OF FNA- GROUP. ANY REPRODUCTION IN PART OR AS A WHOLE WITHOUT THE WRITTEN PERMISSION OF FNA-GROUP IS PROHIBITED.	DESCRIPTION: CRX340, ELECTRIC START, GENERAL PURPOSE	REV: A
	WEIGHT: 34500g MATERIAL: Material <not specified>	BREAK ALL SHARP EDGES AND REMOVE BURRS	DWG. NO. 2456102CUST